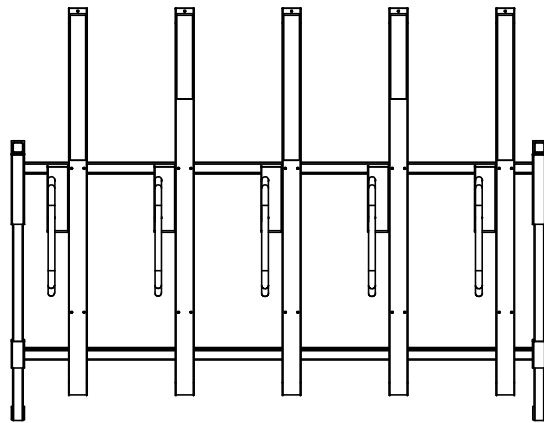
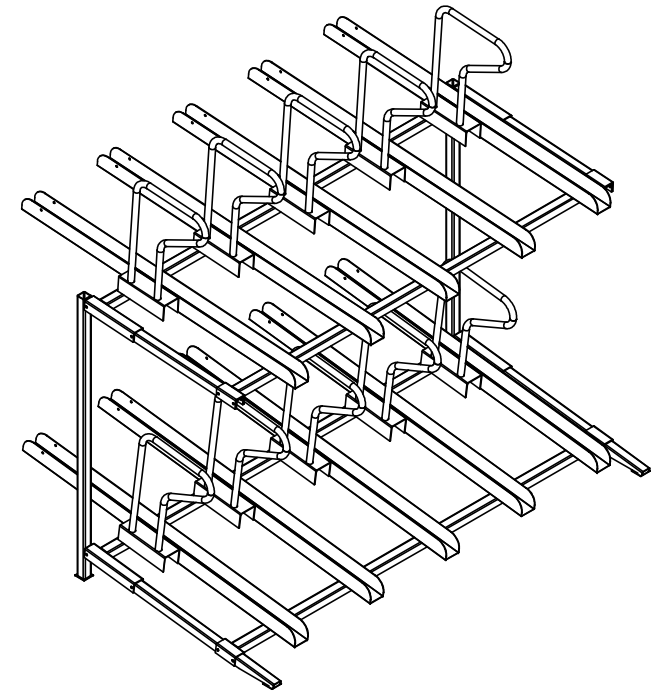
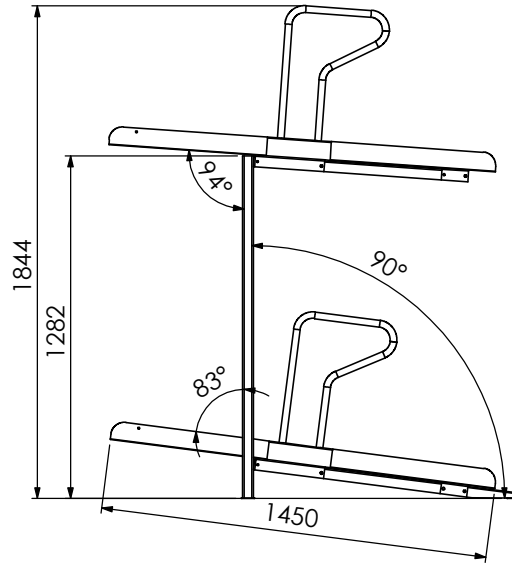
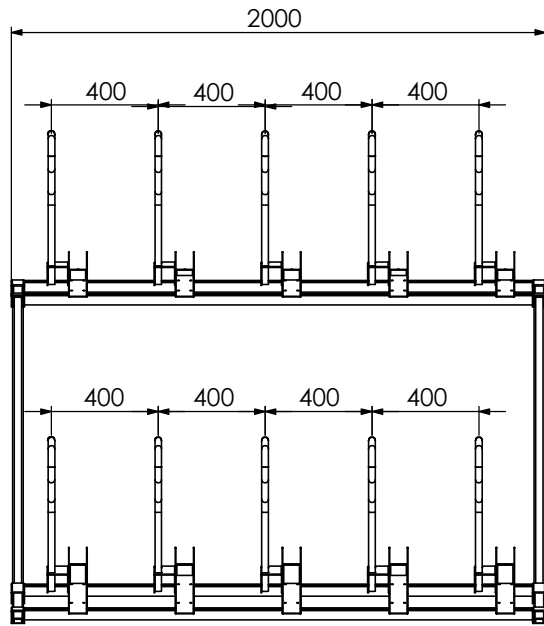


ITEM NO.	PART NUMBER	DESCRIPTION	QTY.	LENGTH
1	13125-20		2	
2	13125-50-2m		2	
3	13125-51-2m		2	
4	13125-21		10	



THE INFORMATION CONTAINED IN THIS DRAWING IS THE SOLE PROPERTY OF SUVEREN RØRMØBELFABRIKK A/S ANY REPRODUCTION IN PART OR WHOLE WITHOUT THE WRITTEN PERMISSION OF SUVEREN RØRMØBELFABRIKK A/S IS PROHIBITED.

Matriale		---		 SUVEREN RØRMØBELFABRIKK A/S
Antall	1	STK		
APPROVALS		DATE		Sykkelstativ, 10 sykkelplass i 2 plan (10/2) Hovedsammenstilling
DRAWN	Reza	01.04.2020		
CHECKED				
Rev.	-	--		
Last save:	01.04.2020	SIZE	A3	DWG. NO.
SCALE:	1:20		13125-2m	REV.
		CAD FILE:	Z:\Tegninger\Produktutvikling\Sykkelstativ\Sykkelstativ 10x2 - 2m\	SHEET. OF
				00